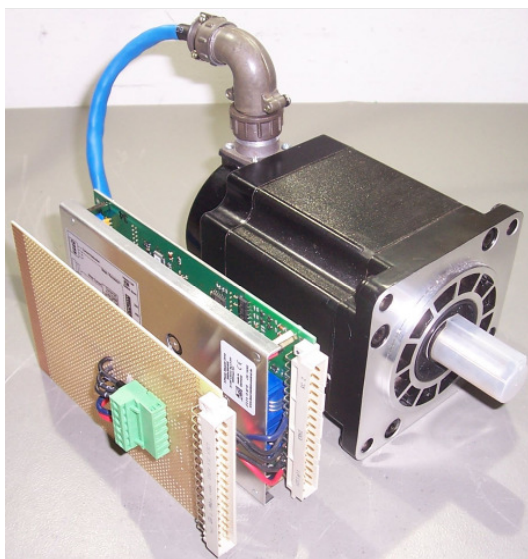


BFL-RFK650 RETROFIT-KIT FOR D650 + (V)RDM MOTORS

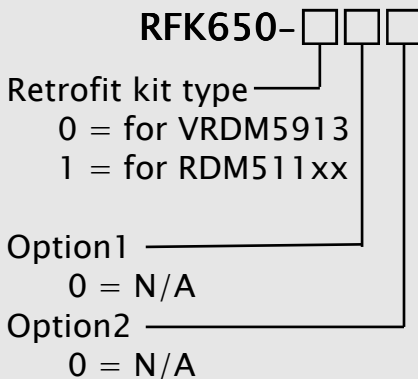
“... greatly reduces time and possible retrofit error when upgrading from obsolete 5-phase to current 3-phase stepping motor drive technology...”

- Closely matching retrofit kits for obsolete 5-phase stepper drive card D650.xx and (V)RDM type 5-phase stepper motors
- No additional or special wiring necessary
- High motor compatibility rate (see chart on back)
- RFK650 two versions:
-000 for D650 + VRDM5913/50
-100 for D650 + RDM51117/50
or D650 + RDM51122/50
- Minimal invasive to existing machine or application
- Superior motor performance compared to old system
- Pin compatible with D650.00, D650.01, D650.50 and D650.51 drive cards
- Existing motor cable can be used
- Less downtime by reducing the retrofit effort
- Pre-engineered and tested retrofit concept minimizing errors
- Customized solutions available upon request



Retrofit kit RFK650-100 to replace D650.xx + RDM51117 or D650.xx + RDM51122 5 phase stepper drives

VARIANTS/ORDER KEY



BLACK FOREST LINK..

... combines industrial high performance stepping motor drive and control systems with pre-engineered functionality for a variety of demanding applications...

...systems offer user friendly solutions for a variety of industries:

- Packaging
- Printing
- Labeling
- Automotive
- Food
- Medical
- Pharmaceutical
- ...

1 YEAR WARRANTY on standard products...

Please visit us at.. www.blackfoli.com

BFL-RFK650-US0.4

BLACK FOREST

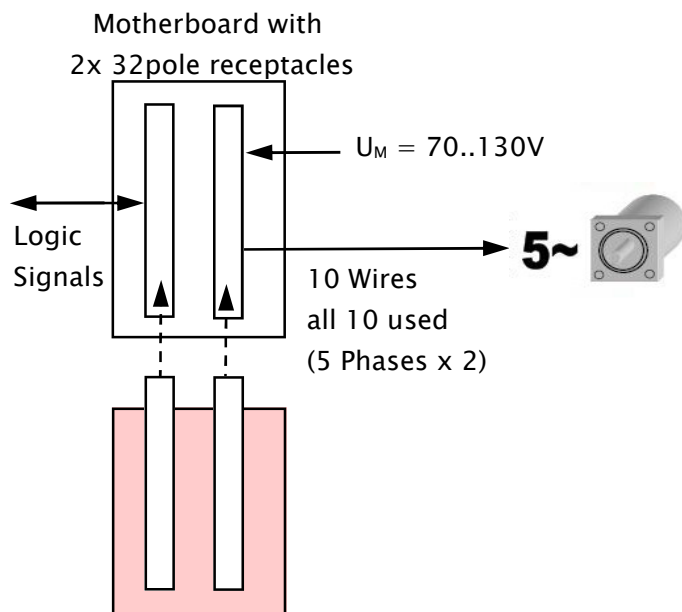


LINK

Over 30 years of application experience in motion control solutions”

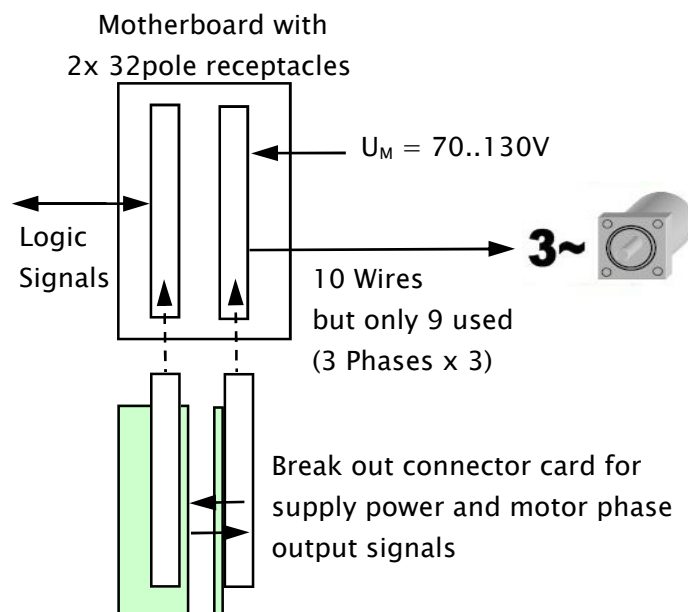
Block diagram: Existing D650.xx and new RFK650-x00 drive system

D650.xx + RDM5x



D650.xx 5-Phase Drive Card

RFK650-x00



SMD398-900.65 3-Phase Drive Card as part of the RFK650-x00 kit

Compatibility chart: 5-phase and 3-phase stepping motor

	D650 + (V)RDM 5xxxx			RFK650		Compatibility information
	5913	51117	51122	-000	-100	
Holding torque	3.5Nm	7Nm	11Nm	4.5Nm	12.5Nm	YES (with superior torque output)
Shaft diameter	12mm	16mm	16mm	14mm	19mm	NO (larger shaft diameter)
Shaft length	30mm	56mm	56mm	37mm	55mm	NO (different shaft length)
Centering ring (pilot)	60mm	56mm	56mm	73mm	85mm	NO (different but NEMA size 34/42 diameters)
Motor length	172mm	194mm	242mm	138mm	148mm	YES (all motors are shorter)
Housing diameter	86mm	110mm	110mm	86mm	110mm	YES 100% (RFK650 motors are square)
Mounting hole distance	70mm	89mm	89mm	70mm	89mm	YES 100%
Mounting holes	5.5mm	8.5mm	8.5mm	6.5mm	9mm	YES (but 0.5..1mm larger holes)
Shaft keyway	Yes	Yes	Yes	No	Yes	YES (NO for RFK650-000 with double flatted shaft)

BFL-RFK650-US0.4